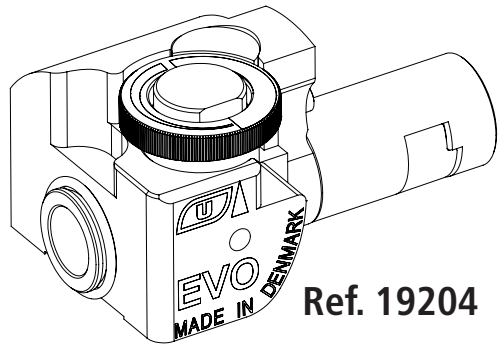
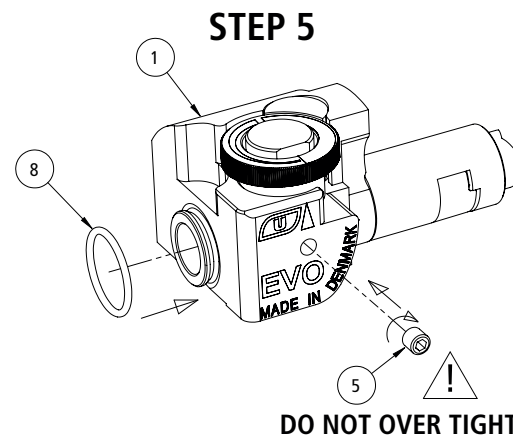
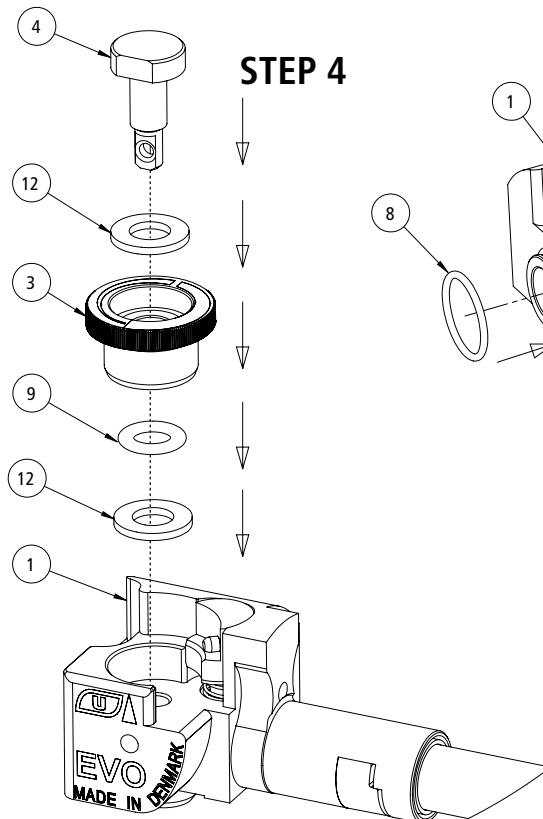
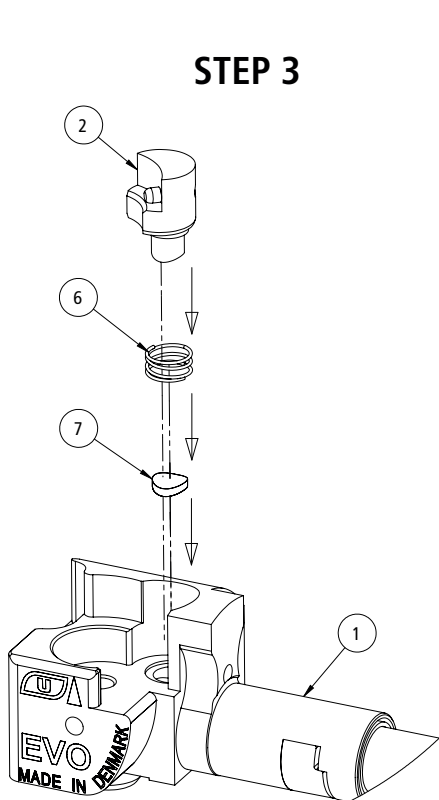
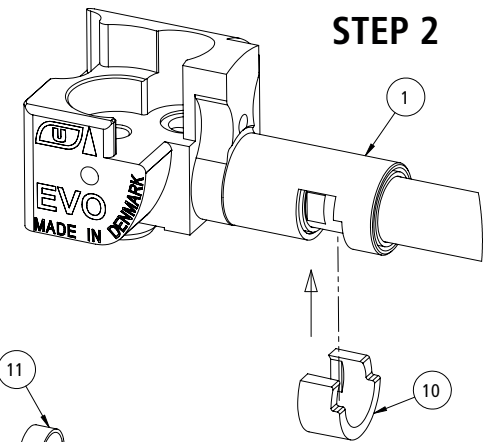
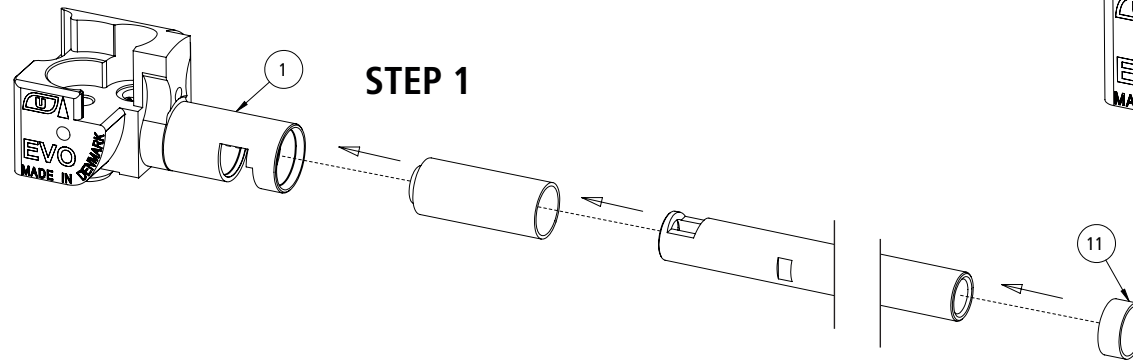


**U**  
**ULTIMATE®**

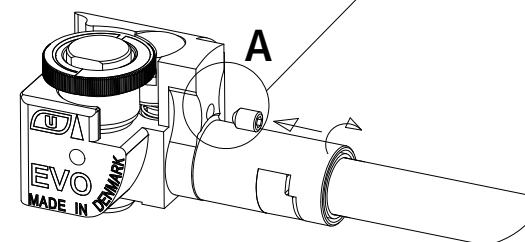


# EVO CNC PERFORMANCE HOP-UP ASSEMBLY GUIDE

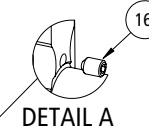
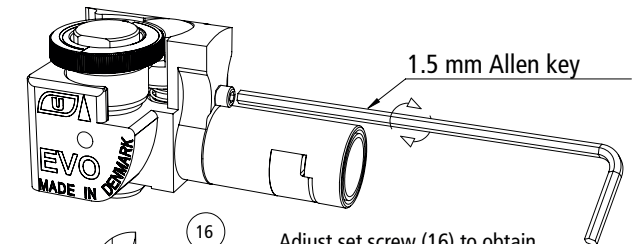
FOR MORE INFORMATION AND IN-DEPTH  
INSTRUCTIONS PLEASE VISIT [ACTIONSPORTGAMES.COM](http://ACTIONSPORTGAMES.COM)



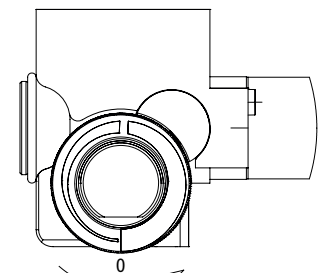
## STEP 6 FINAL ASSEMBLY



## STEP 7 - Adjustment



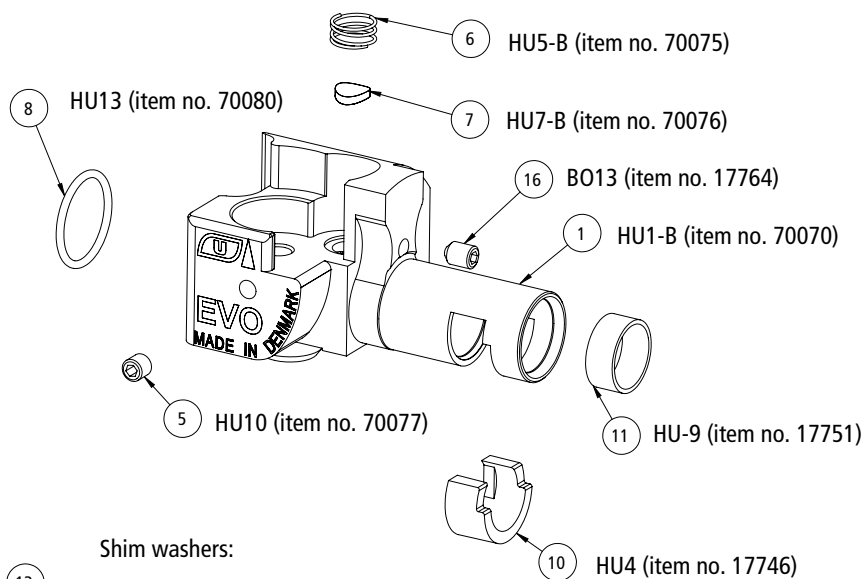
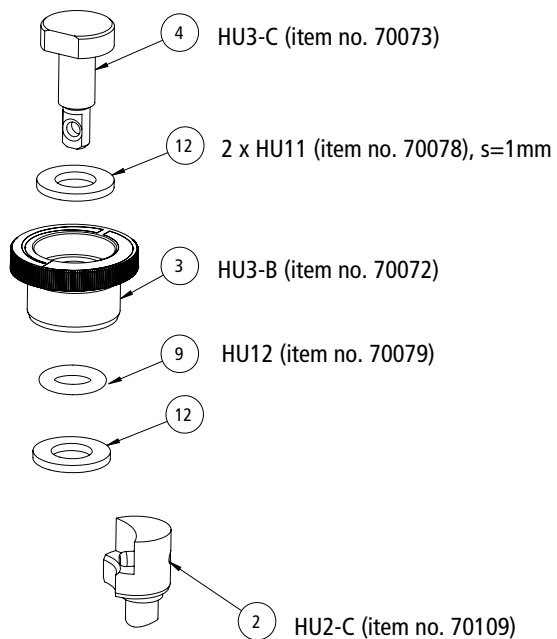
Adjust set screw (16) to obtain  
airtight fit between the Hop up  
rubber and the Gearbox nozzle.



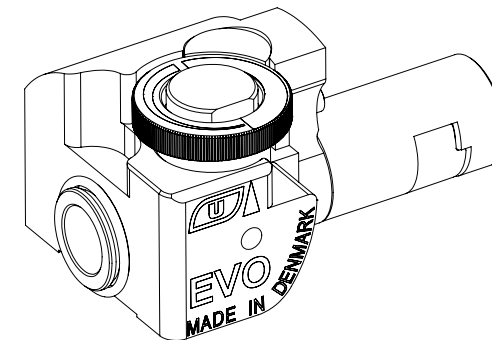
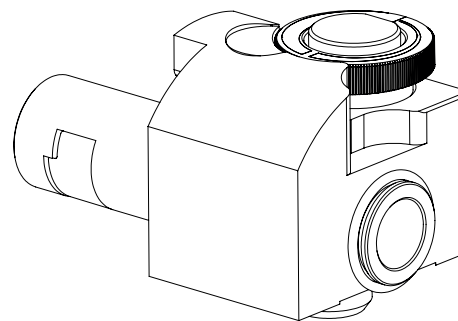
Turn the Adjustment button counter-  
clockwise for Hop-up adjustment.

**Components:**

- 1-Hop up chamber
- 2-Pusher
- 3-Adjustment button (max. travel=1 mm)
- 4-Support shaft
- 5-Set screw - conical (silver)
- 6-Return spring
- 7-Top rubber
- 8-O ring (optional)
- 9-O ring
- 10-C clip
- 11-Hop up ring
- 12-Washer (s=1 mm)
- 13-Shim washer (s=0,1 mm)
- 14-Shim washer (s=0,2 mm)
- 15-Shim washer (s=0,5 mm)
- 16- Set screw - flat (black)



- Shim washers:
- 13 2 x HU11-B (item no. 70111); s=0,1 mm; red
  - 14 2 x HU11-C (item no. 70112); s=0,2 mm; blue
  - 15 2 x HU11-D (item no. 70113); s=0,5 mm; yellow



**EXAMPLES OF USING THE SHIM WASHERS  
(total thickness of setup washers is always 2 mm)**

**EXAMPLE 1:**

Adjusting button (HU3-B)  
moved up by 0,3 mm  
(0,7 + 1,3 = 2 mm)

**EXAMPLE 2:**

Adjusting button (HU3-B)  
moved down by 0,5 mm  
(1,5 + 0,5 = 2 mm)

